

1 2 3 4 5 6 7 8

A A

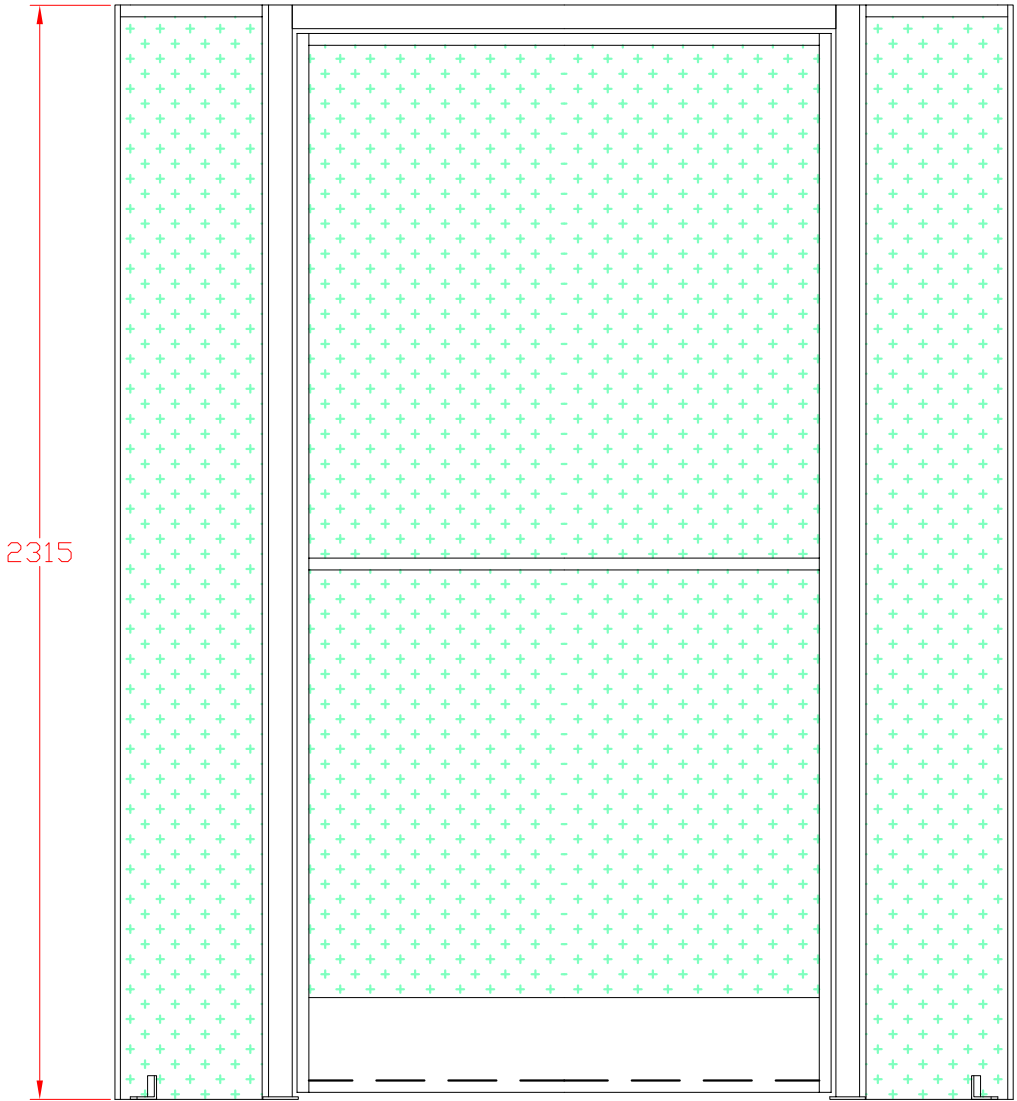
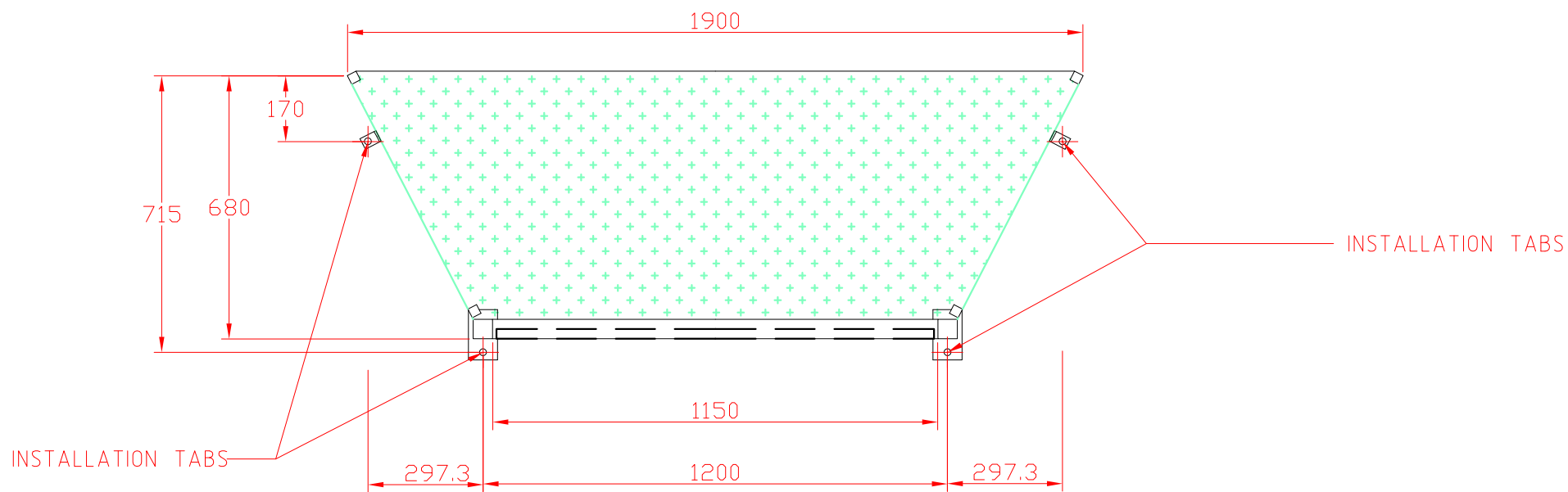
B B

C C

D D

E E

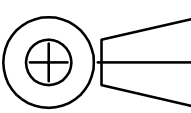
F F



NOTES.
1. MATERIAL: STEEL, GALVINISED

REV	DATE	DESCRIPTION	BY
-2	19-11-09	NOTES ADDED	BF
-1	19-11-09	FIRST ISSUE	BF


29 LAVINIA ST
ATHOL PARK SA 5012
AUSTRALIAN p. 08 8447 5622
 STAGING & RIGGING f. 08 8447 5633
www.australianstagingandriggering.com.au

GENERAL TOL. 	DRAWN B.FITCH	TITLE LOCATION FOR LIFT CAGE	
	DATE 19/11/09		
	CHECKED -	APPROVED -	SCALE 1:16
SHEET 1 OF X		A3	

1 2 3 4 5 6 7 8