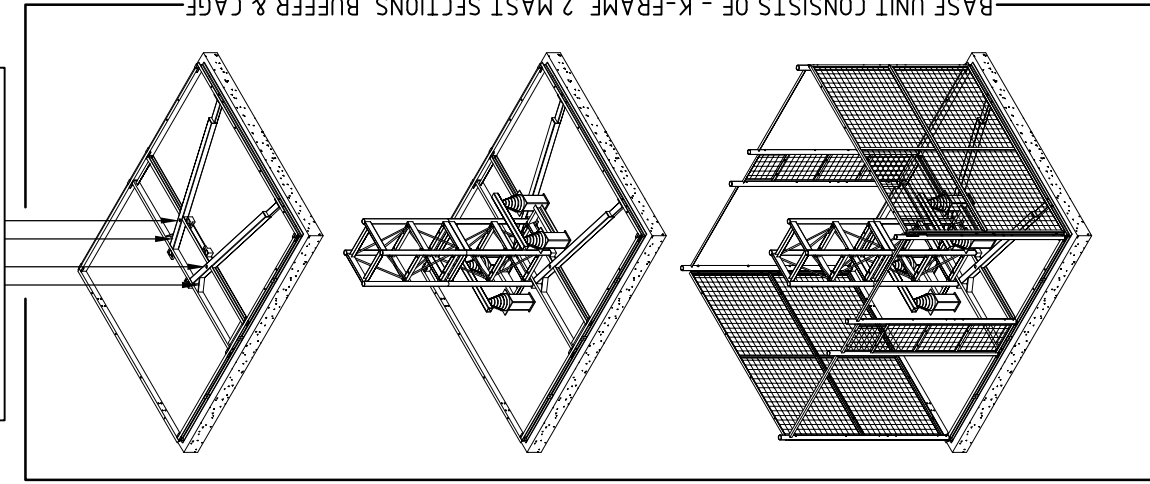


FIXING TO FOUNDATION FRAME



BASE UNIT CONSISTS OF - K-FRAME, 2 MAST SECTIONS, BUFFER & CAGE

HOIST TECHNICAL DATA

DESCRIPTION	CAR #1	CAR #2
TYPE - ALIMAK HEK SCANDO	FC 24/32 TD	FC 24/32 TD
PAYLOAD CAPACITY	2400 kg	2400 kg
SPEED	0-57 m/min	0-57 m/min
INTERNAL CAR DIMS (W x L x H)	15 x 3.2 x 2.15 m	15 x 3.2 x 2.15 m
DOOR OPENING (W x H)	1.49 x 2.0 m	1.49 x 2.0 m
BASE UNIT WEIGHT	3100 kg	3100 kg
MAST TYPE	650 x 650 c/c	
MAST SECTION (+ RACKS) WEIGHT	210 kg	
SAFETY DEVICE	GFD	
POWER SUPPLY RANGE AT 400 V / 50 Hz:	440-460 V / 50 Hz / 3 Phase	
POWER SUPPLY FUSES	125 Amp	
STARTING CURRENT	170 Amp	
POWER CONSUMPTION	87 kVA	

UNLESS NOTED OTHERWISE

- A. ALL DIMENSIONS ARE EXPRESSED IN MILLIMETRES (mm)
- B. ALL FORCES ARE EXPRESSED IN KILOWEIGHTONS (kN)
- C. THIS DRAWING IS COVERED BY COPYRIGHT

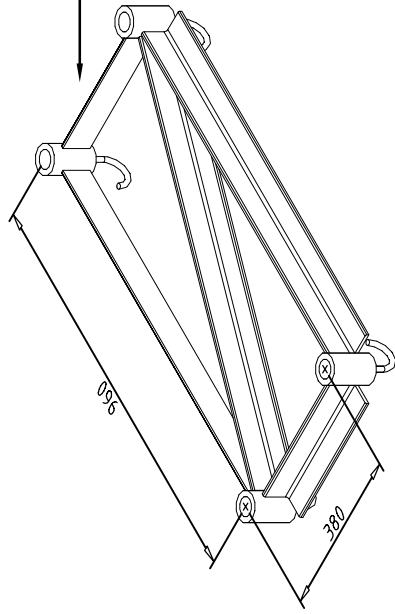
FOR REFERENCE ONLY

FOUNDATION FRAME

HOOKS MUST BE ATTACHED TO MESH / REINFORCEMENT. TOP OF THE FRAME TO BE FLUSH WITH TOP OF SLAB.

CONCRETE SPECIFICATION

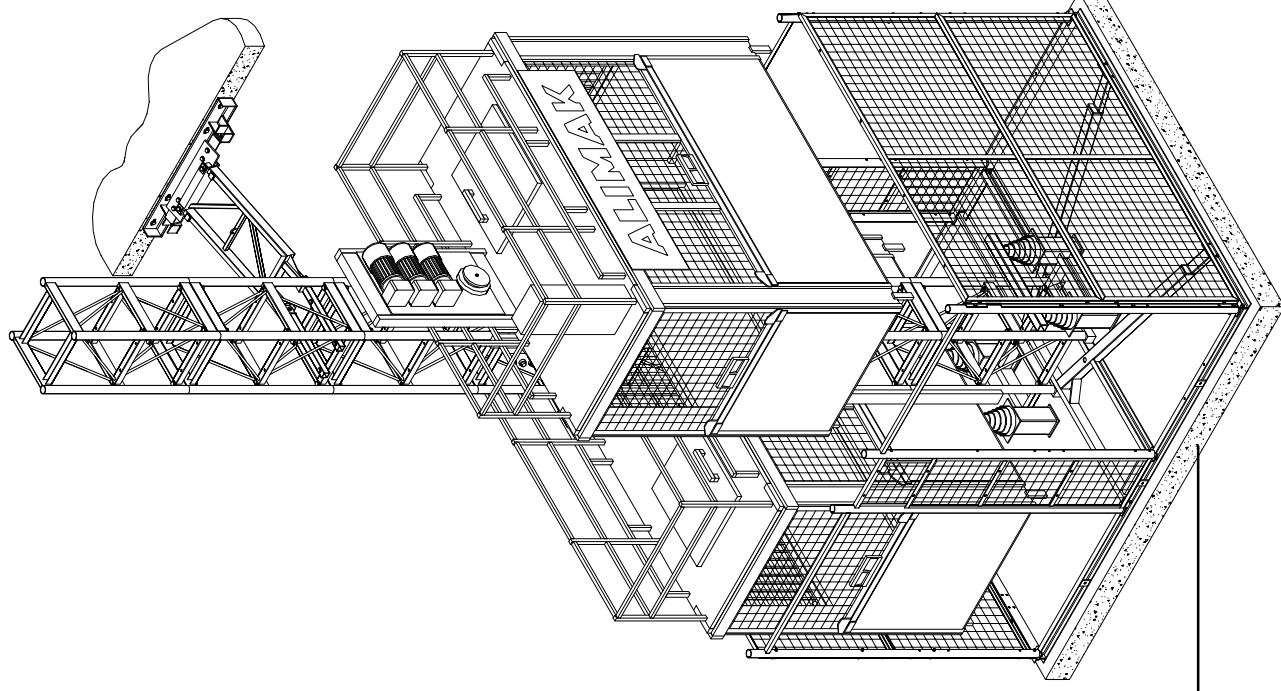
THICKNESS = 250mm, FC = 25 MPa
REINFORCEMENT TO BE F62 MESH AT TOP AND BOTTOM OF SLAB WITH 50mm COVER.



SUPPLY RESPONSIBILITY

WITH THE EXCEPTION OF ELECTRICAL POWER & LIGHTING, MAST FIXING DETAILS, BUILDING STRUCTURE & LANDING SUPPORT STRUCTURES (SEE NOTES 1-6), ALIMAK HEK AUSTRALIA PTY. LTD. WILL PROVIDE ALL EQUIPMENT REQUIRED FOR COMPLETION OF HOIST INSTALLATION UNLESS STATED OTHERWISE.

(NB: OTHERS TO ENSURE BUILDING STRUCTURE, MAST FIXINGS & LANDING OPENINGS ARE PROVIDED WITHIN THE TOLERANCES SPECIFIED.)



WORK BY OTHERS

POWER

- PROVIDE & TERMINATE ELECTRICAL MAINS CABLES TO ALIMAK HEK AUXILIARY PANEL.
(NB: PANEL LOCATED AT BOTTOM LANDING BY ALIMAK HEK UNLESS DIRECTED OTHERWISE BY LOCAL STATUTORY AUTHORITIES.)
- POWER SUPPLY 415V.
4 WIRE - FUSES AMP [SLOW TO A.S.1735]

LIGHTING

- PROVIDE BUILDING STRUCTURE & PIT LIGHTING IN ACCORDANCE WITH LOCAL STATUTORY AUTHORITIES REQUIREMENTS.
(NB: LIGHTING ON HOIST BY ALIMAK HEK, PER LOCAL STATUTORY AUTHORITIES REQUIREMENTS.)

CONCRETE / STEEL PIT INSTALLATION

- PROVIDE PIT AS REQUIRED & INSTALL FOUNDATION FRAME (TO BE SUPPLIED BY ALIMAK HEK) IN LOCATION INDICATED HERE.

BUILDING STRUCTURE

- CAST IN WALL INSERTS (SUPPLIED BY ALIMAK HEK WHERE NECESSARY) AT CENTRES SHOWN ON DRAWING.
- PROVIDE SUPPORT STRUCTURE & ACCESS ETC. FOR ALIMAK HEK LANDING ENCLOSURES.

GENERAL

- PROVIDE FOR ALL NECESSARY TOLERANCES TO BUILDING STRUCTURE TO ENSURE FREE PASSAGE OF HOIST & CLEARANCE FOR ENCLOSURES.
- PROVIDE SAFE, LOCKABLE STORAGE AREAS FOR ALIMAK HEK EQUIPMENT DELIVERED TO SITE.
- PROVIDE FOR ALL PAINTING & MAKING GOOD OF ANY DAMAGE BY OTHERS TO HOIST & ENCLOSURE AFTER FINAL INSTALLATION & PRIOR TO FINAL HAND OVER.
- PROVIDE ALL NECESSARY ENCLOSURE WORKS AROUND FLOOR PENETRATIONS & IN-FILL MATERIAL AROUND LANDINGS IN ACCORDANCE WITH LOCAL STATUTORY AUTHORITIES.



ABN: 80 005 538 947
www.alimakhek.com.au

REV. REVISION DESCRIPTION

REV.	REVISION DESCRIPTION	BY	APP	DATE

MELBOURNE: 2 Ausco Pl, Dandenong Sth, VIC, AUSTR. 3175
Ph. (+61) 3 8795 6789, Fax. (+61) 3 8795 6790
SYDNEY: 264 Miller Rd, Villawood, NSW, AUSTR. 2163
Ph. (+61) 2 9727 7446, Fax. (+61) 2 9727 7475
BRISBANE: US/210 Robinson Rd, Geebung, QLD, AUSTR. 4034
Ph. (+61) 7 3865 8188, Fax. (+61) 7 3865 8488

CLIENT:

N.T.S.

DO NOT SCALE.
USE FIGURED
DIMENSIONS ONLY.

REV: **A**

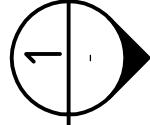
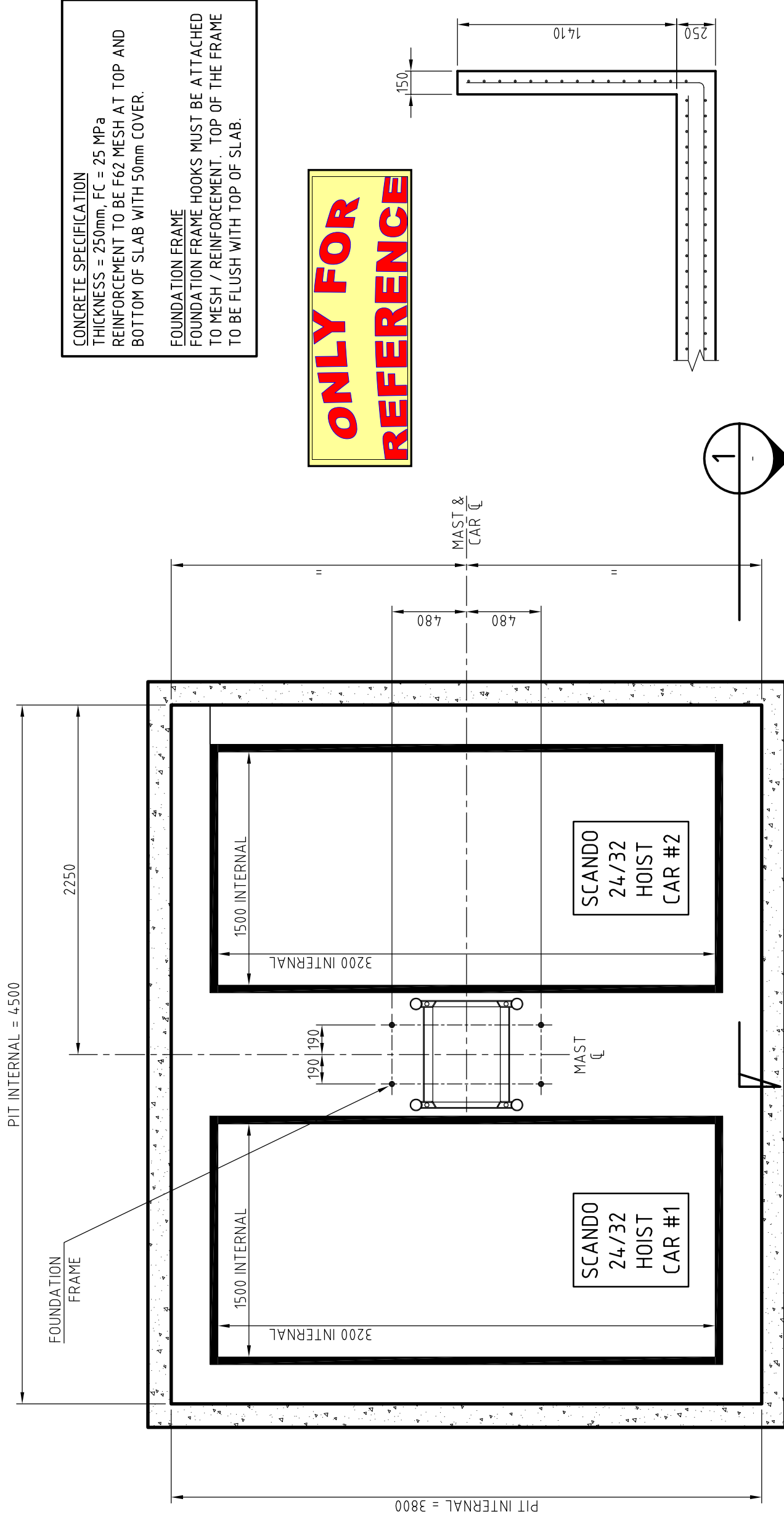
PROJECT:
**ISSUED AS TYPICAL FOR
REFERENCE ONLY**

JOB NO:
DRWG NO:
PAGE: **01** OF **04**

TITLE:

**GENERAL TECH. DATA & SPECS.
TWIN FC 24/32
FACE FIXED TIES**

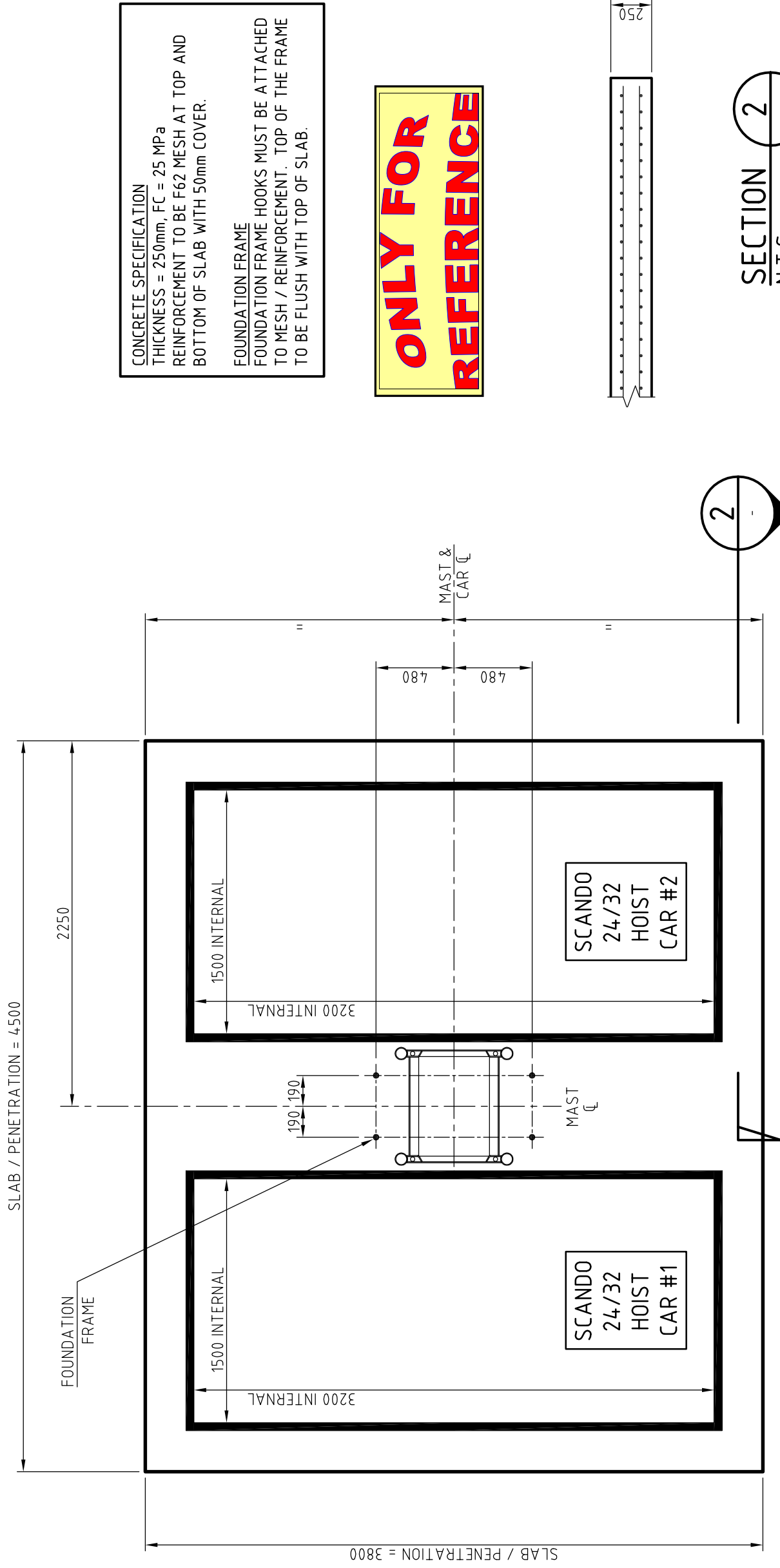
CHKD: DATE: DSGN: DATE:
APPR: DATE: DRWN: DATE:



SECTION 1
N.T.S.

PLAN OF PIT
N.T.S.

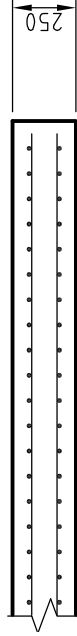
		ABN: 80 005 538 947 www.alimakhek.com.au	
MELBOURNE: 2 Ausco Pl, Dandenong Sth, VIC, AUSTRALIA 3175 Ph. (+61) 3 8795 6789, Fax. (+61) 3 8795 6790	SYDNEY: 264 Miller Rd, Villawood, NSW, AUSTRALIA 2163 Ph. (+61) 2 9727 7446, Fax. (+61) 2 9727 7475	BRISBANE: US/210 Robinson Rd, Geebung, QLD, AUSTRALIA 4034 Ph. (+61) 7 3865 8188, Fax. (+61) 7 3865 8488	REV. REVISION DESCRIPTION BY APP DATE
SCALE: N.T.S. DO NOT SCALE. USE FIGURED DIMENSIONS ONLY.	CLIENT: PROJECT: ISSUED AS TYPICAL FOR REFERENCE ONLY	JOB NO: DRWG NO: PAGE: 02 OF 04	TITLE: TYPICAL PLAN OF PIT
REV. DATE	CHKD: DATE: DSGN: DATE:	APPR: DATE: DRWN: DATE:	REV: A



CONCRETE SPECIFICATION
 THICKNESS = 250mm, FC = 25 MPa
 REINFORCEMENT TO BE F62 MESH AT TOP AND
 BOTTOM OF SLAB WITH 50mm COVER.

FOUNDATION FRAME
 FOUNDATION FRAME HOOKS MUST BE ATTACHED
 TO MESH / REINFORCEMENT. TOP OF THE FRAME
 TO BE FLUSH WITH TOP OF SLAB.

**ONLY FOR
 REFERENCE**

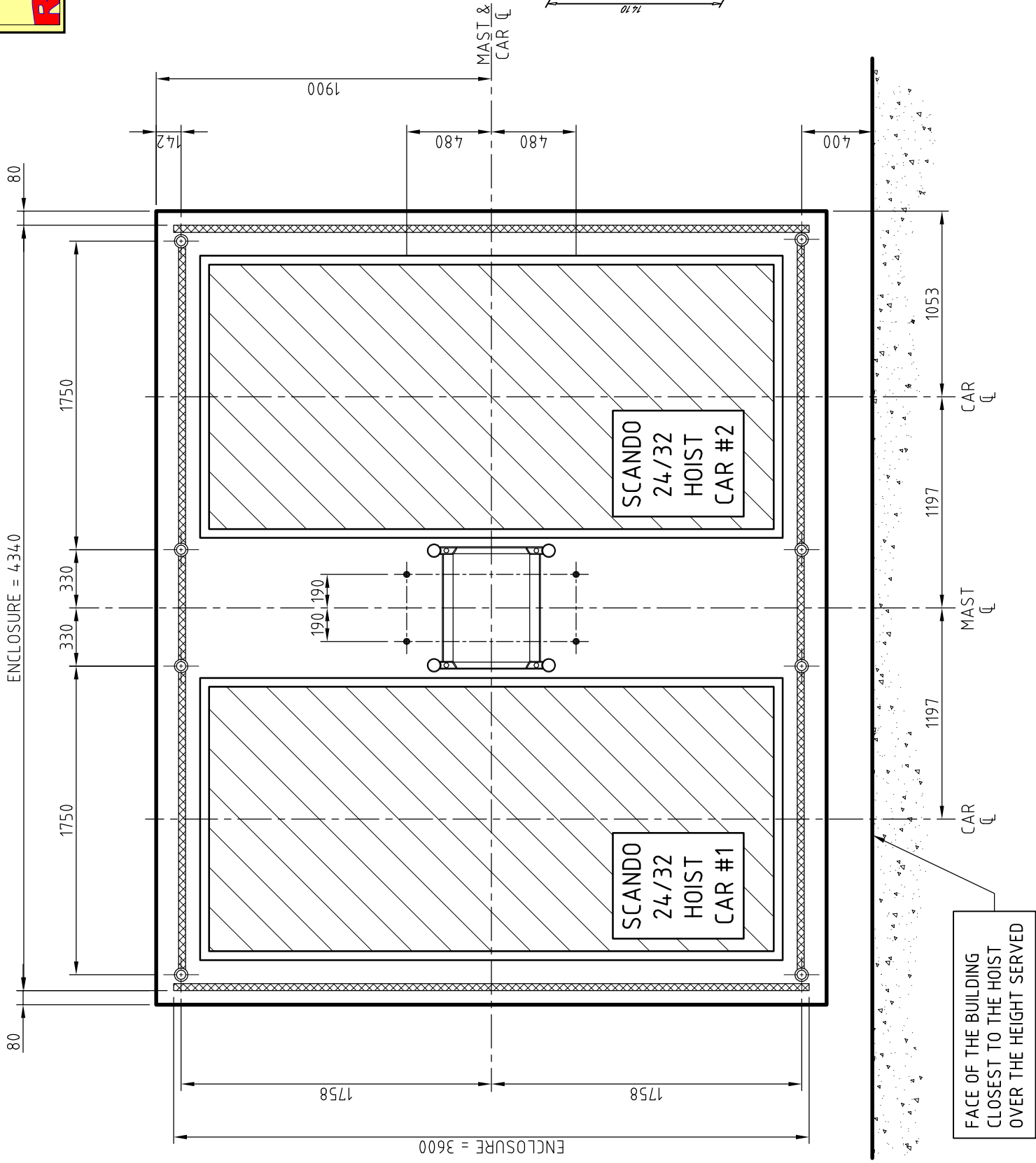


SECTION **2**
 N.T.S.

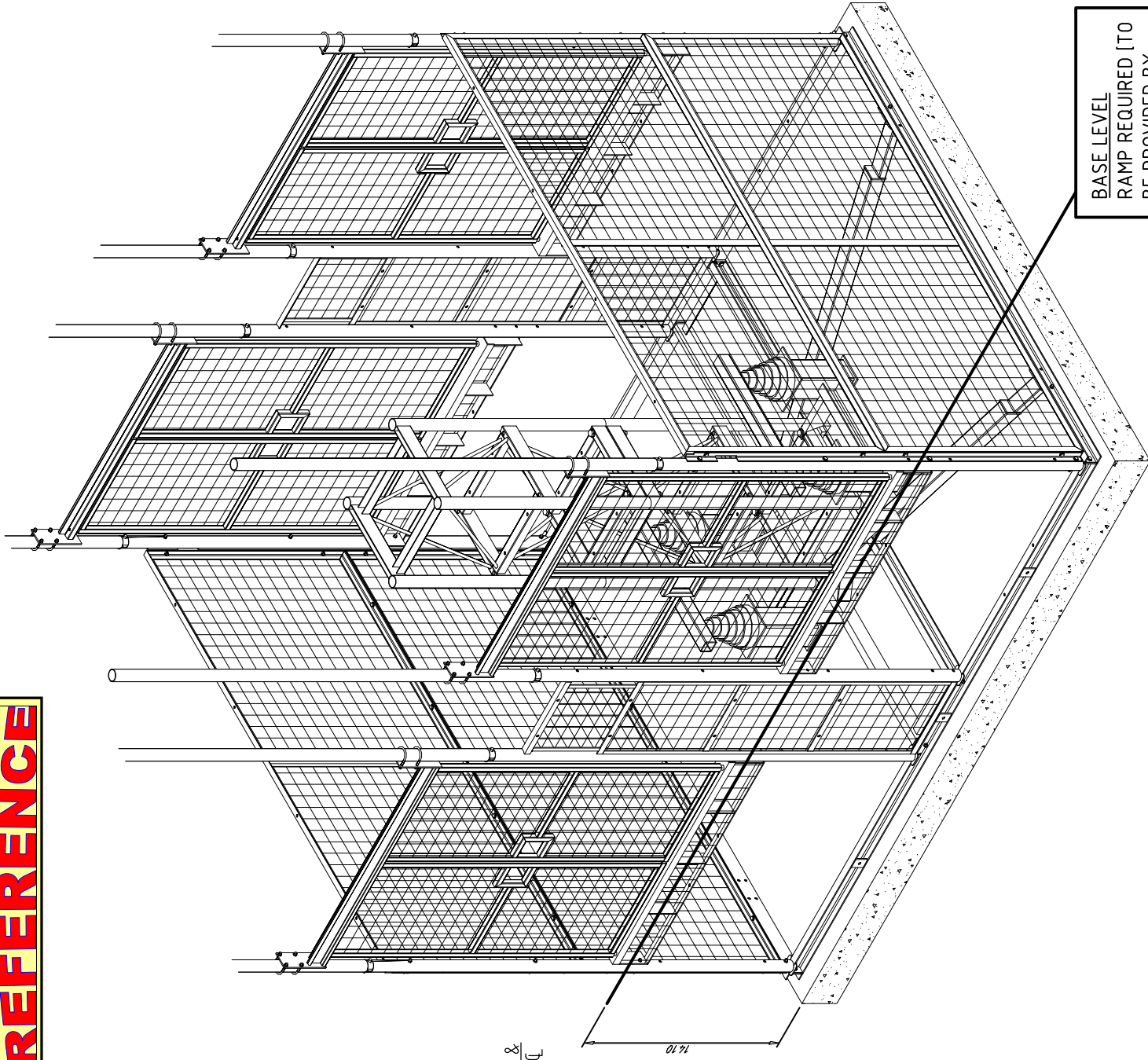
PLAN OF SLAB/PENETRATION
 N.T.S.

<p>ABN: 80 005 538 947 www.alimakhek.com.au</p>	REV. REVISION DESCRIPTION BY APP DATE	SCALE: N.T.S. DO NOT SCALE. USE FIGURED DIMENSIONS ONLY.	CLIENT:	TITLE:
	PROJECT: ISSUED AS REFERENCE FOR REFERENCE ONLY	JOB NO:	DRWG NO:	PAGE: 03 OF 04
MELBOURNE: 2 Ausco Pl, Dandenong Sth, VIC, AUSTR. 3175 Ph. (+61) 3 8795 6789, Fax. (+61) 3 8795 6790 SYDNEY: 264 Miller Rd, Villawood, NSW, AUSTR. 2163 Ph. (+61) 2 9727 7446, Fax. (+61) 2 9727 7475 BRISBANE: US/210 Robinson Rd, Geebung, QLD, AUSTR. 4034 Ph. (+61) 7 3865 8188, Fax. (+61) 7 3865 8488	CHKD: DATE: DSGN: DATE:	APPR: DATE: DRWN: DATE:	TYPICAL PLAN OF SLAB/PEN.	

ONLY FOR REFERENCE



PLAN OF SLAB & ENCLOSURE
N.T.S.



		ABN: 80 005 538 947 www.alimakhek.com.au	
MELBOURNE: 2 Ausco Pl, Dandenong Sth, VIC, AUSTR. 3175 Ph. (+61) 3 8795 6789, Fax. (+61) 3 8795 6790	SYDNEY: 264 Miller Rd, Villawood, NSW, AUSTR. 2163 Ph. (+61) 2 9727 7446, Fax. (+61) 2 9727 7475	BRISBANE: US/210 Robinson Rd, Geebung, QLD, AUSTR. 4034 Ph. (+61) 7 3865 8188, Fax. (+61) 7 3865 8488	TITLE: TYPICAL PLAN OF ENCLOSURE
REV. REVISION DESCRIPTION	BY APP DATE	SCALE: N.T.S. DO NOT SCALE. USE FIGURED DIMENSIONS ONLY.	CLIENT:
PROJECT: ISSUED AS REFERENCE FOR REFERENCE ONLY		JOB NO.:	CHKD: DATE: DSGN: DATE:
ENCLOSURE = 4340		REV: A	APPR: DATE: DRWN: DATE:
ENCLOSURE = 3600		PAGE: 04 OF 04	